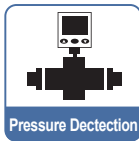


KP61 SERIES

Pressure Gauge

Features

- Digital pressure gauge
- Setting pressure range :
Vacuum (10 ~ -101 kPa)
Positive (-0.100 ~ 1.000 MPa)
- Selectable pressure unit :
kPa 、 MPa 、 kgf / cm² 、 bar 、 psi
- IP65 enclosure



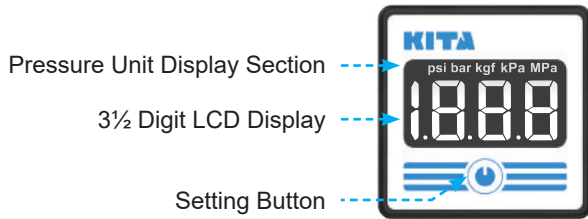
Specifications

MODEL	KP61V		KP61P	
	Vacuum		Positive	
	1.000 MPa			
	0			
	-101 kPa			
Rated Pressure Range	0 ~ -101 kPa		0.000 ~ 1.000 MPa	
Display Pressure Range	10 ~ -101 kPa		-0.100 ~ 1.000 MPa	
Withstand Pressure	300 kPa		1.5 MPa	
Applicable Fluid	Filtered air, Non-corrosive / Non-flammable gas			
Pressure Resolution	kPa	1	-	
	MPa	-	0.001	
	kgf / cm ²	0.01	0.01	
	bar	0.01	0.01	
	psi	0.1	0.1	
Power Supply Voltage	12 ~ 28 V DC ± 10 %, Ripple (P-P) ≤ 10 %			
Current Consumption	10 mA			
Sampling Rate	2 Hz (2 times / sec.)			
Repeatability	± 1 % F.S. ± 1 digit		± 0.2 % F.S. ± 1 digit	
Display	3 ½ digital, 7 segment LCD display (White)			
Indicator Accuracy	± 2 % F.S. ± 1 digit (Ambient temperature : 25 ± 3 °C)			
Environment	Enclosure	IP65 ※1		
	Ambient Temp. Range	Operation : 0 ~ 50 °C, storage : -10 ~ 60 °C (No condensation or freezing)		
	Ambient Humidity Range	Operation / Storage : 35 ~ 85 % RH (No condensation)		
	Withstand Voltage	1000 V AC in 1-min (between case and lead wire)		
	Insulation Resistance	≥ 50 MΩ (at 500 V DC, between case and lead wire)		
	Vibration	Total amplitude 1.5 mm or 10 G, 10 Hz ~ 55 Hz ~ 10 Hz scan for 1 minute, 2 hours each direction of X, Y and Z		
Shock	100 m/s ² (10 G), 3 times each in direction of X, Y and Z			
Temperature Characteristic	± 2 % F.S. of detected pressure (25 °C) at temp. (Range of 0 ~ 50 °C)			
Port Size	F1 : R1/8", M5 ; F2 : NPT1/8", #10-32 UNF ; F3 : G1/8" (BSPP), M5			
Lead Wire	Ø2.8 Oil-resistance cable (PVC) - 26 AWG (0.15 mm ²) - 2 cores			
Weight	Approx. 60 g (with 2 meter lead wire) ; Approx. 40 g (with M8 4Pin male connector)			

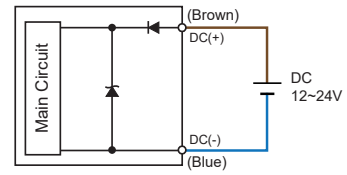
NOTE

※1 : Air tube must be installed to maintain IP65.

Panel Description



Circuit Wiring Diagram



* Pressure display only, no switch output function.

Ordering Information

K P 6 1 P - F 1 -

Pressure Range

V : Vacuum (10 ~ -101 kPa)
P : Positive (-0.100 ~ 1.000 MPa)

Cable Length / Connector

Blank : With 2 meter cable
QD : With M8 4Pin male connector

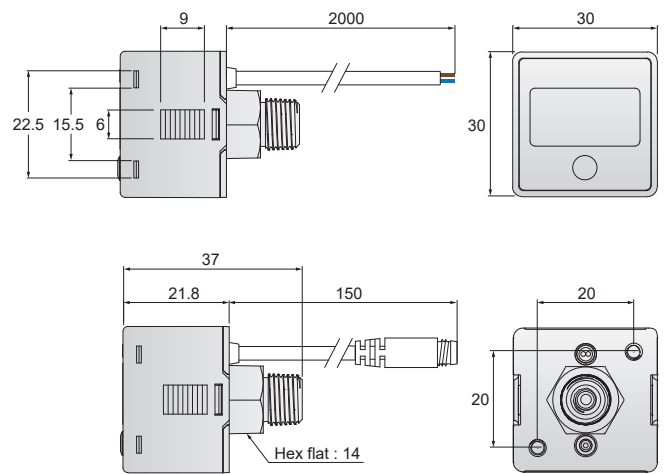
Optional Parts

BT-5 : Mounting bracket
BT-6 : Mounting bracket
PA-C : Panel adapter
PA-D : Panel adapter + Front protective lid

Pressure Port

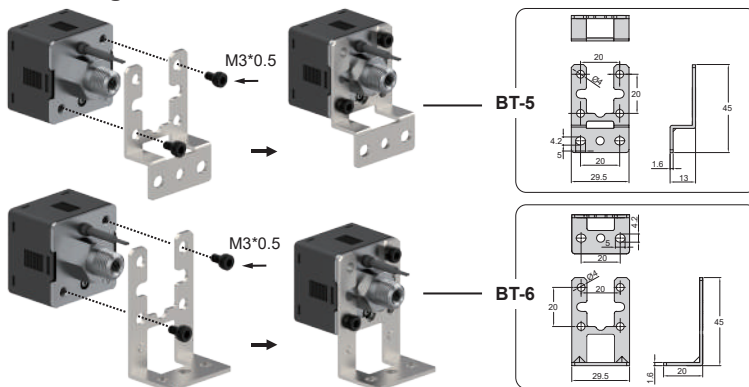
F1 : R1/8", M5
F2 : NPT1/8", #10-32 UNF
F3 : G1/8" (BSPP), M5

Dimensions

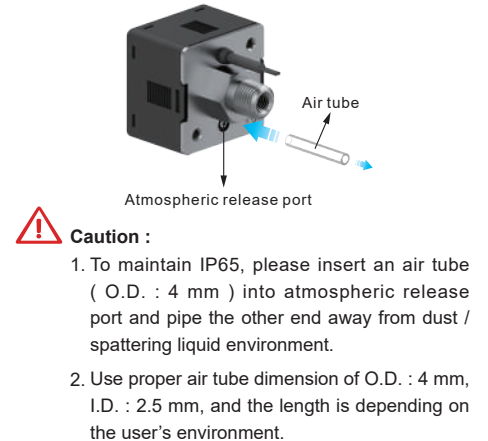


Optional Parts Dimensions

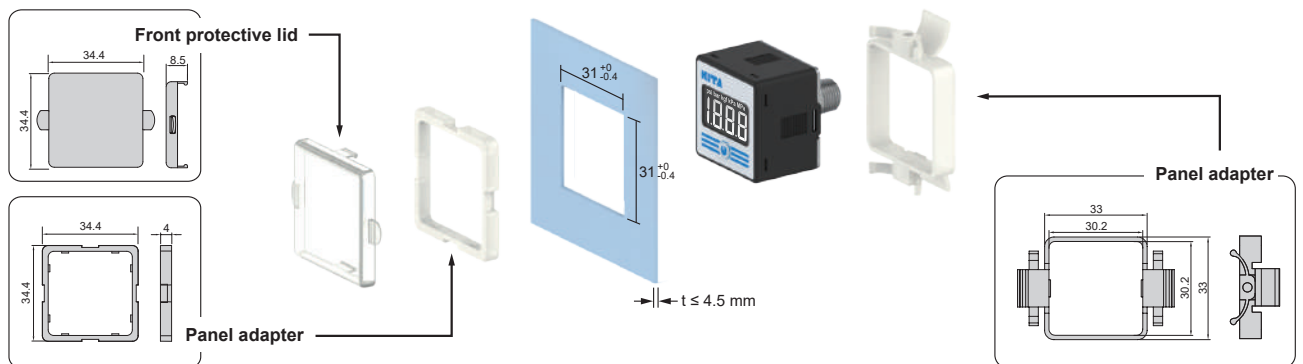
1 Mounting Bracket



3 IP65 Protector



2 Panel Mount Adapter + Front Protective Lid



Unit : mm